

AFW 400-2

WHEELED ASPHALT PAVER
CITY CLASS, CLASSIC



MOBILE AND MANOEUVRABLE

Manoeuvrability and mobility are the keys to this wheeled paver, which is ideal for work in municipalities. It proves productive when space is open, but can manage curves and tighter spaces, too – in part due to a tight 2510 mm inner turning radius. The conventional, intuitive dashboard with switches helps both seasoned professionals and newcomers succeed, while the material feeding system provides consistency that enables quality. The paver dimensions allow the transport by truck without dismounting the screed extension boxes.

OPERATOR STATION

- Simple toggle switches
- Ergonomic dashboard arrangement
- Good sight lines

MATERIAL FEEDING

- Large 320 mm diameter auger
- 700 mm independent conveyor belt
- Proportional sensors and speed controls

EASY TRANSPORT

- Compact dimensions
- Transport width within 2.55 m allows truck transportation with mounted extension boxes

SUPERIOR SCREED TECHNOLOGY

- Dual tube design for high stability, even when paving at maximum width
- Ergonomic side shield control
- Easy adjustment of the angle of attack
- Standard width of 1.75–3.5 m
- Max width of 4.7 m with extensions
- Vibration or tamper/vibration screeds
- Gas or electric heating

EXCEPTIONAL MOBILITY

- 2510 mm inner turning radius
- 15 km/h travel speed
- Large rear wheels (385/65 R22.5)

SERVICEABILITY

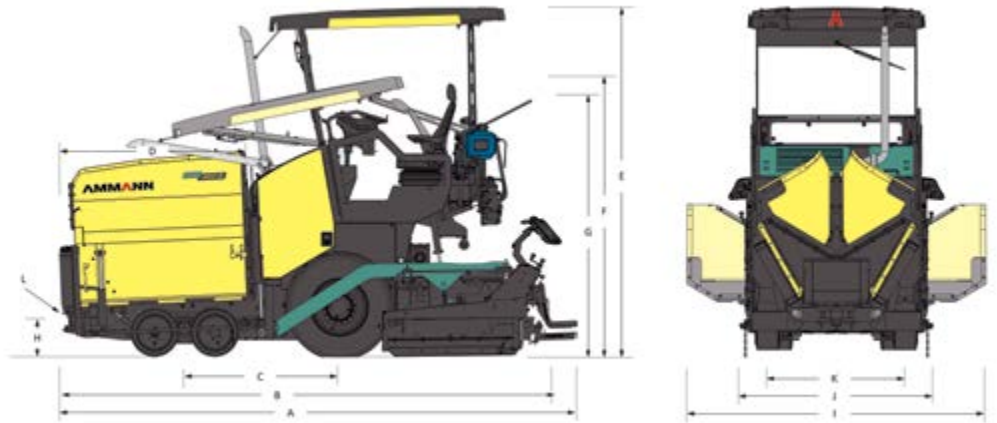
- Easy access
- All-in-one box kits available
- Easy replacement of dashboard toggle switches

APPLICATIONS

- National roads
- Municipal roads
- Building lots
- Squares and courtyards
- Sporting courts

AMMANN

TECHNICAL SPECIFICATIONS
AFW 400-2
WHEELED ASPHALT PAVER
CITY CLASS, CLASSIC



WEIGHT & DIMENSIONS

WEIGHT (INCLUDING STANDARD SCREED)	10 300 kg
A MACHINE LENGTH	5022 mm
B TRANSPORT LENGTH	5022 mm
C WHEEL BASE	1600 mm
D HOPPER LENGTH	1985 mm
E MACHINE HEIGHT	3360 mm
F TRANSPORT HEIGHT	2915 mm
G HEIGHT (W.O. CANOPY)	2400 mm
H MATERIAL LOADING HEIGHT	500 mm
I MACHINE, OPEN HOPPERS WIDTH	3148 mm
J TRANSPORT WIDTH	1800 mm
K TRACK GAUGE WIDTH	1451 mm
L MAX. APPROACH ANGLE	15° (front) / 13° (back)

CAPACITY & PERFORMANCE

PLACEMENT THICKNESS (MAX.)	200 mm
THEORETICAL PAVING CAPACITY	350 t/h
PAVING SPEED (MAX.)	25 m/min
TRANSPORT SPEED (MAX.)	15 km/h

WHEEL DRIVE

REAR WHEELS	Pneumatic tyres 2 × 385/65 R22.5
FRONT WHEELS	Elastic, solid rubber tyres 4 × 492/260-378
TRACTION	2WD (2 × rear wheels)
TURNING RADIUS	2510 mm (inside Radius)

SCREED OPTIONS

	SV 3500 G	SV 3500 E	STV 3500 G	STV 3500 E
BASIC WIDTH	1.75 m	1.75 m	1.75 m	1.75 m
HYDRAULIC EXTENDED WIDTH	3.50 m	3.50 m	3.50 m	3.50 m
MAX. WORKING WIDTH	4.70 m	4.70 m	4.70 m	4.70 m
HEATING SYSTEM	Gas (LPG)	Electric	Gas (LPG)	Electric
SCREED TYPE	Vibration screed	Vibration screed	Tamper & vibration screed	Tamper & vibration screed



MATERIAL FEEDING SYSTEM

HOPPER CAPACITY	10.5 t
HOPPER DUMPING HEIGHT CENTER (W. HOPPER FLAP)	500 mm
HOPPER WIDTH, INTERNAL	3050 mm
CONVEYOR TYPE	Dual bar feeder
CONVEYOR WIDTH	700 mm
CONVEYOR CONTROL	Aut. / Proportional paddles
AUGER DIAMETER	320 mm
AUGER CONTROL	Aut. / Ultrasonic sensors
AUGER HEIGHT ADJUSTMENT	200 mm (mechanical)

ENGINE

ENGINE MODEL	DEUTZ TD 2.9 L4
RATED POWER @ 2200 RPM	54 kW
EMISSIONS	Stage IIIA (T3), IV (T4f)
ELECTRICAL SYSTEM	24 V
FUEL TANK CAPACITY	73 l

OPERATOR STATION

OPERATOR CONSOLE	Slidable and tiltable control panel
DASHBOARD	Conventional control
PLATFORM	Slide out seat stations with pivotable seats
ROOF	Canopy with lights (optional)